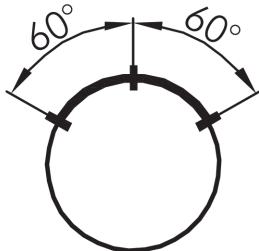
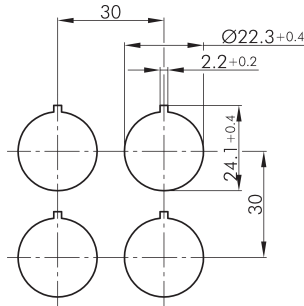
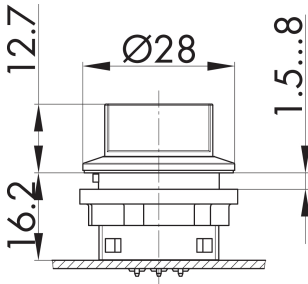




Illuminated selector head, maintained SVAWB

Category:	Selector switches (momentary/maintained)
Series:	Shortron® base-plate mounting
Panel cut-out:	Ø 22.3 mm
Protection class:	II (protective insulation)
Degree of protection:	IP65
Switching function:	maintained action
Illumination:	yes
With labelling option:	no
Front bezel	stainless steel, polished
Positive opening:	no
Shape:	round



Legend

**I = Switching position > =
Spring return**