

# RKT

28.09.2022

## Pushbutton head



### General Data

Type reference:	RKT
Description:	Pushbutton
Approvals:	CCC, CE, UKCA, UR
Protection class:	II (protective insulation)
Degree of protection:	IP65
Operation travel:	3 mm
Max. storage temperature:	-50°C ... 85°C
Max. operating temperature:	-25°C ... 70°C
Mechanical life:	The mechanical life time depends on the type and number of contact blocks being used.

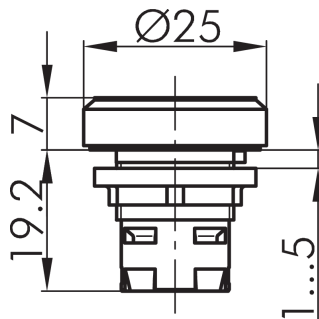
### Technical data

Mounting aperture:	16.2 mm
Mounting position:	any
Panel thickness:	1.0...5.0 mm
Range:	OKTRON®-R
Illumination:	illumination option
Labelling option:	yes
Colour:	charcoal housing
Shape:	round

### Data cc. to UL508/ CSA 22.2 No. 14-18

Enclosure Type:	Type 1 indoor
-----------------	---------------

**Dimensional drawing**



**Drilling pattern**

