

**SSWSSA171\_C007**

01.12.2021

**Key-operated switch, maintained, with 4-pole M12 connector**



**General Data**

Type reference	SSWSSA171_C007
Description	Key switch with integrated contact block and 4-pole M12 connector, maintained
Approvals	CE, cURus, ENEC10, VDE, UKCA
Contact type	1 NO
Degree of protection	IP65 (in the front); IP65 / IP67 (on the rear with plugged-in M12 connector)
Connection type	4-pole M12 connector (integrated), A coded
Contact material	AgNi
Max. storage temperature	-40°C ... 80°C
Max. operating temperature	-25°C ... 70°C
Mechanical life	30,000 switching cycles
Electrical life (rated load)	30,000 switching cycles at rated load
Contact resistance NO	< 50 mOhm (new state)
Bouncing time NO	< 10ms

**Electrical data acc. to IEC/EN 60947-5-1 (VDE 0660 Sect. 200)**

	alternate current	direct current
Utilisation category	AC15	DC13
Rated insulation voltage Ui	50 V	50 V
Rated operating voltage Ue	35 V	35 V
Rated operating current Ie	4 A	2 A
Breaking capacity	-	-
Continuous thermal current	4 A	-

**Additional data**

Mounting aperture	22.3 mm
Tightening torque (mounting nut)	1.5 ... 1.9 Nm
Tightening torque (M12-connector)	max. 0.4 Nm
Mounting position	any



Standards EN 60947-5-1, EN 61058-1

Material group I

Overvoltage category II

Pollution degree 2

### Note

I = NO contact

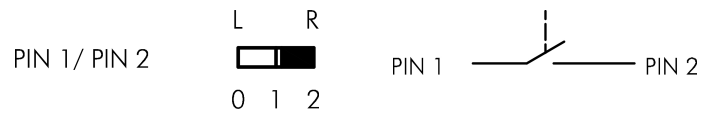
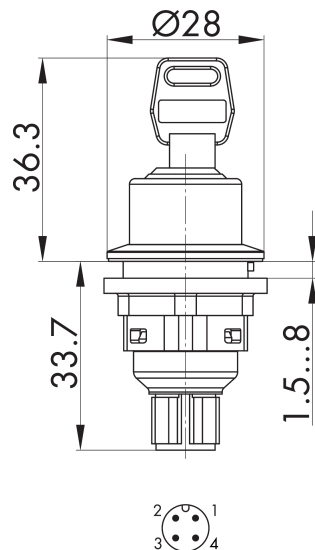
- black front ring

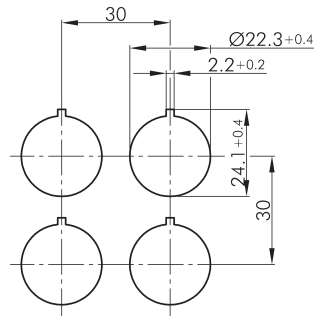
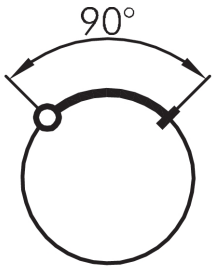
Pin assignment:  
Pin 1 Pin 2 Pin 3 Pin 4 Type  
NO NO n.c. n.c. 1 NO

Safety instructions / mounting instructions:  
- the connector must not be connected or disconnected under load  
- the single connector pin may be loaded with max. 4 A

### Test data acc. to UL60947-5-1 / C22.2 No. 60947-5-1

Rating 24VDC 2A general purpose





<b>Légende:</b>
I=Position de commutation >=Rappel par ressort O=Retrait de la clé
<b>Legende:</b>
I= Schaltstellung >= Federrückzug O= Schlüsselabzugstellung
<b>Legend:</b>
I= Switching position >= Spring return O= Key removable position

