

FRVKALOO

24.01.2022

Emergency-stop made of aluminium for robust applications



General Data

Type reference:	FRVKALOO
Description:	Emergency-stop head, aluminium version, foolproof
Approvals:	CCC, CE, cURus, TÜV_Süd, UKCA
Contact type:	2 NC
Degree of protection:	IP65 / IP67
Connection type:	Faston terminals 2.8 x 0.8 mm
Contact material:	AgNi
Max. storage temperature:	-40°C ... 80°C
Max. operating temperature:	-25°C ... 70°C
Mechanical life:	50,000
Electrical life (rated load):	50,000 at rated load
Contact resistance NC:	< 50 mOhm (new state)
Bouncing time NC:	< 10ms
Positive opening contact:	acc. to EN60947-5-1, appendix K

Electrical data acc. to IEC/EN 60947-5-1 (VDE 0660 Sect. 200)

	alternate current	direct current
Utilisation category	AC15 B300	DC13 Q300
Rated insulation voltage U_i	250 V	250 V
Rated operating voltage U_e	240 V / 120 V	250 V / 125 V / 60 V / 24 V
Rated operating current I_e	1.5 A / 3 A	0.27 A / 0.55 A / 1 A / 2 A
Breaking capacity	10I _e	1,1I _e
Continuous thermal current	5 A	

Additional data

Mounting aperture:	22.3 mm
Tightening torque (mounting nut):	1.3 ... 1.9 Nm
Release:	twist release, left or right
Mounting position:	any
Standards:	EN 60947-5-1, EN 60947-5-5, EN ISO 13850
Ld:	20% (NC)
B10d [cycles]:	250.000
Pollution degree :	3

Note

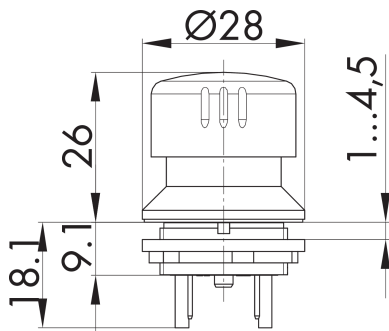
○ = NC contact
with switching position indicator

Use partially or fully insulated Faston clamps

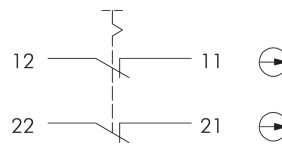
Data acc. to UL

Rating contact block:	B300, 24Vdc/3A
NEMA TYPE:	4x indoor (front face)
Torque:	1.3 ... 1.9 Nm (head nut)
Operating temperature:	10°C...40°C

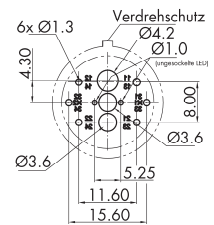
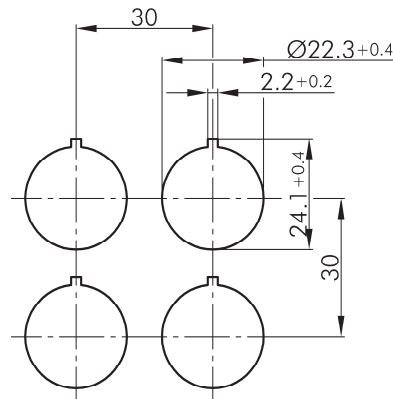
Dimensional drawing



Circuit diagram



Drilling pattern



Sicht auf Bestückungsseite der Leiterplatte
Kontaktbelegung: sh. Schaltbild der jew. Typen

PCT...

