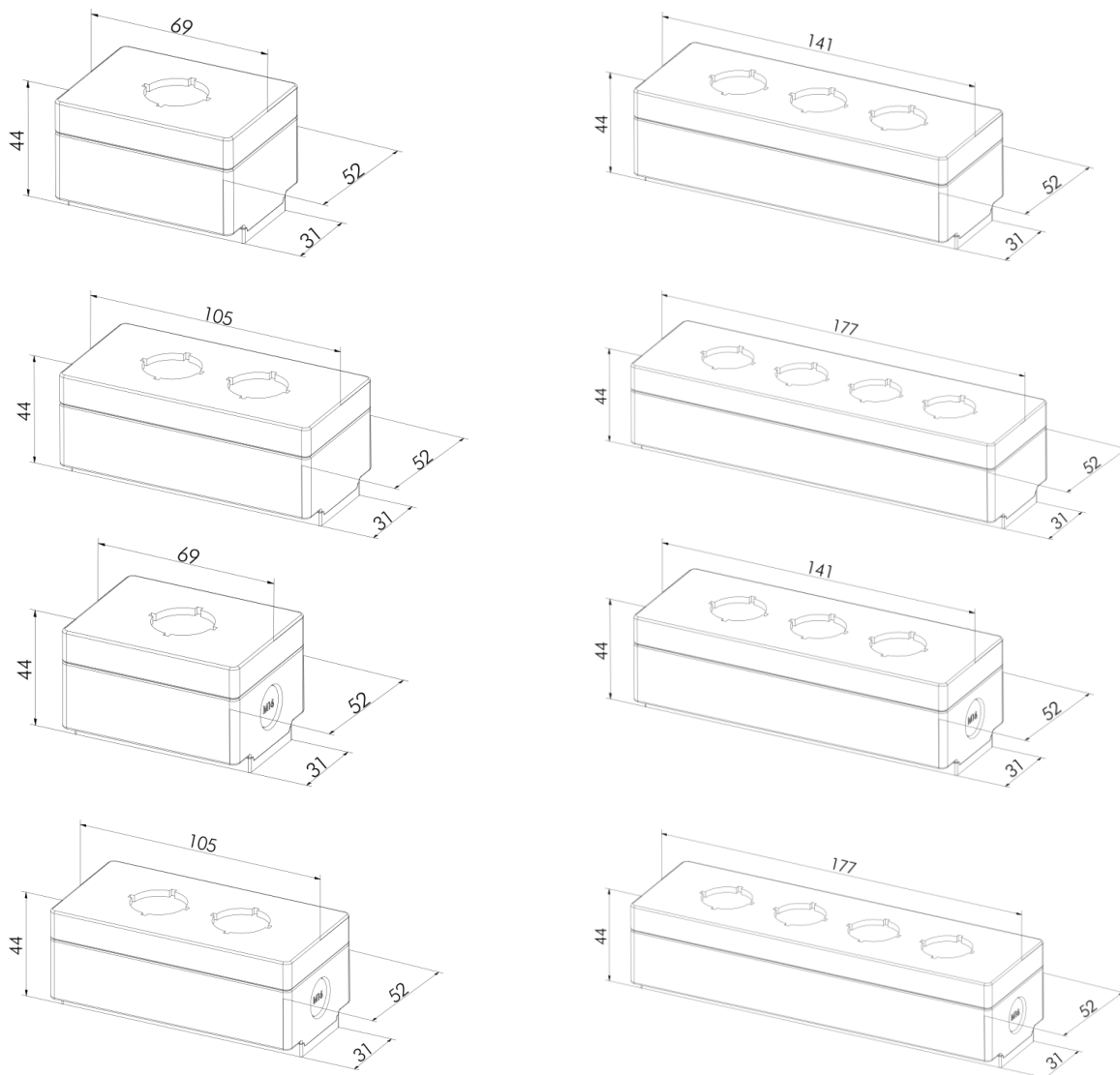


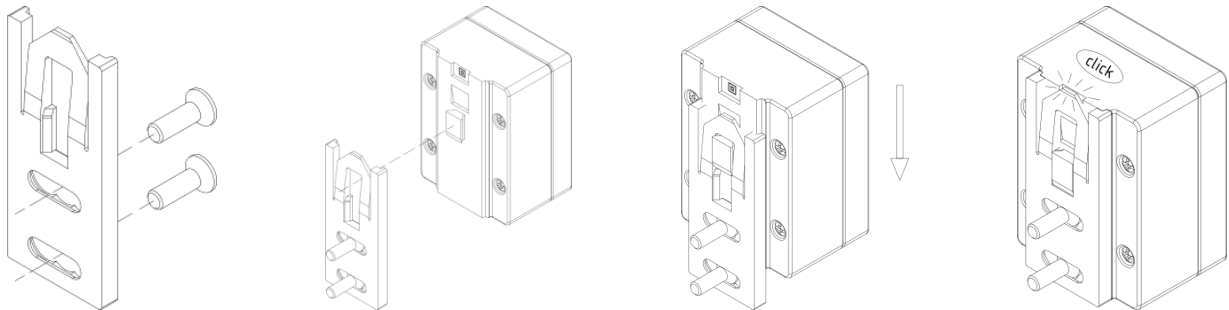
## Technical data

Number of mounting holes	1 to 4
Mounting diameter	22.3 mm
Degree of protection	IP65/IP67
Operating temperature	-25°C ... 70°C
Storage temperature	-40°C ... 85°C
Tightening torque (enclosure screws)	0.4 ±0.1 Nm
Tightening torque (mounting bracket)	0.7 ±0.1 Nm (for countersunk screws acc. to DIN 7991/ISO 10642)
Colour	bottom part: dark grey, cover: black
Material	PA
Approvals	CE, UL in preparation

## Dimensional drawings



## Assembly



The mounting bracket is part of the delivery, the fixing material (screw, slot nuts) is not included. Please use M5 countersunk screws acc. to DIN 7991/ISO 10642 of appropriate length. The tightening torque for the screws to fix the mounting bracket is  $0.7 \pm 0.1$  Nm.