

# Datasheet

➔ [PXM4M2333-0000](#) 

04/11/2025



## Equipment

Pos.	Name	Type	Nameplate	Lens
4	FRVKOO	Emergency-stop		
3	SWBOI	Selector Switch 3-Position		
2	STLI	Pushbutton	BSRR202	T22RRBL
1	STLI	Pushbutton	BSRR226	T22RRRT



## Technical data

<i>Rated insulation voltage <math>U_i</math></i>	30 V AC/DC
<i>Continuous thermal current <math>I_{th}</math></i>	1 A
<i>Rated operating voltage <math>U_e</math></i>	30 V AC/DC
<i>Rated operating current <math>I_e</math></i>	1 A
<i>Class of Protection</i>	IP65
<i>Operating temperature</i>	-25°C ... 70°C
<i>Storage temperature</i>	-40°C ... 80°C
<i>Connections</i>	M12 plug, A-coded 5-poles/12-poles
<i>Surge voltage category</i>	2
<i>Degree of pollution</i>	II
<i>Approvals</i>	CE, UL

## ➔ PXM4Z - Housing

Series	proboxx <sup>®</sup>
Material	PA
Color bottom part	dark grey
Color top part	black
Shock resistance	IK06
Torque mount	0.7 ±0.1 Nm (for countersunk screws according to DIN 7991/ISO 10642)
Torque M12	max. 0.4 Nm

## ➔ FRVKOO - Emergency stop button

Series	SHORTRON <sup>®</sup>
Front bezel color	yellow
Release	twist release, left/right
Mechanical life	50,000 Switching cycles
Electrical life	50,000 Switching cycles
Contact type	2 NC
Conditional short-circuit I <sub>q</sub>	1,000 A
Rated impulse withstand voltage U <sub>imp</sub>	2.5 kV
Short circuit means (recommendation)	Safety fuse 1A gG
Positive opening contact	according to EN60947-5-1, appendix K



## ➔ SWBOI - Selector button

Series	SHORTRON <sup>®</sup>
Front bezel color	silver
Switching position	<ul style="list-style-type: none"> <li>• -60° latching</li> <li>• 0° latching</li> <li>• 60° latching</li> </ul>
Mechanical life	30,000 Switching cycles
Electrical life	30,000 Switching cycles
Contact type	<ul style="list-style-type: none"> <li>• 1 NC</li> <li>• 1 NO</li> </ul>



## → STLI - Push button

Series	SHORTRON®
Front bezel color	silver
Mechanical life	1,000,000 Switching cycles
Electrical life	1,000,000 Switching cycles
Contact type	1 NO
Illuminant	LED integrated
Illumination	LED, 3 mm, 24 V DC, 14 mA



### Accessories

BSRR202 [↗](#) T22RRBL [↗](#)



## → STLI - Push button

Series	SHORTRON®
Front bezel color	silver
Mechanical life	1,000,000 Switching cycles
Electrical life	1,000,000 Switching cycles
Contact type	1 NO
Illuminant	LED integrated
Illumination	LED, 3 mm, 24 V DC, 14 mA

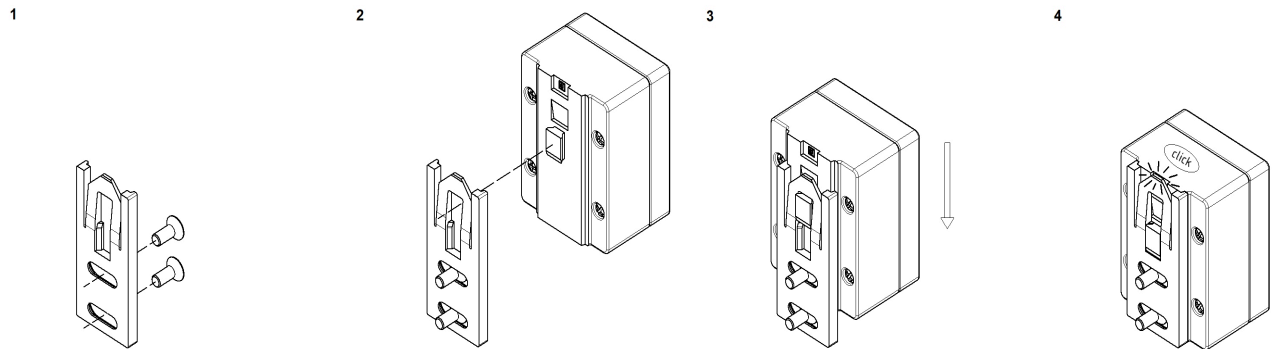


### Accessories

BSRR226 [↗](#) T22RRRT [↗](#)

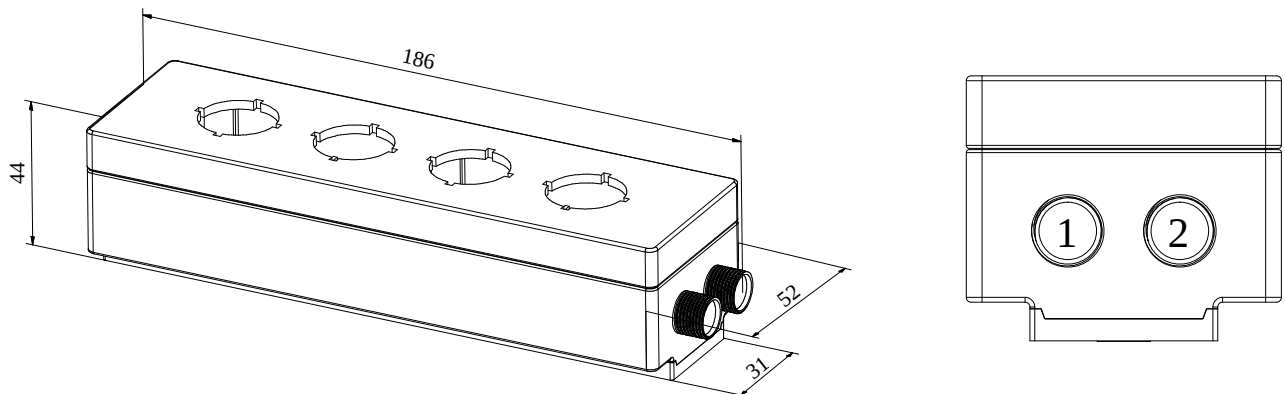


## Mounting



The mounting bracket is part of the delivery, the fixing material (screw, slot nuts) is not included. Please use M5 countersunk screws acc. to DIN 7991/ISO 10642 of appropriate length. The tightening torque for the screws to fix the mounting bracket is  $0.7 \pm 0.1\text{Nm}$ .

## Dimensional drawing



## Pin assignment

Position	Connection	Contact	Pin	Cable color	Connection designation
4 FRVKOO	2	NC	1	 Brown	11
			2	 White	12
		NC	3	 Blue	21
			4	 Black	22
3 SWBOI	1	NC	9	 Red	11
			10	 Violet	12
		NO	11	 Grey  Pink	23
			12	 Red  Blue	24
2 STLI	1	NO	5	 Pink	13
			6	 Yellow	14
		LED	7	 Black	X1 (+)
			8	 Grey	X2 (-)
1 STLI	1	NO	1	 Brown	13
			2	 Blue	14
		LED	3	 White	X1 (+)
			4	 Green	X2 (-)

Connection 1: 12 poles (left)  
 Connection 2: 5 poles (right)

## Images



## Labeling

Position	Alignment	Left	Center	Right
4	horizontal	-	EMERGENCY STOP	-
3	horizontal	HOLD	-	START