



Interval buzzer RRJNSG+SGI-24V

Description:

operating voltage: 12 ... 24V DC operating current: max. 30mA signal frequency: 3.5 +/- 0.5 Hz volume: max. 85 db (10cm, 24V) max. 80 db (10cm, 12V) interval: 1 s operating temperature: -20°C ... 60°C

Category:

Buzzers

Series:

RONTRON-R-JUWEL

Panel cut-out:

Ø 22.3 mm

Degree of protection:

IP65

Illumination:

no

With labelling option:

no

Connection type:

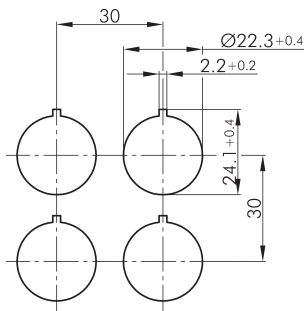
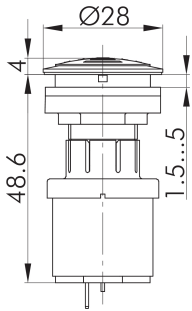
Faston terminals 2.8 x 0.8 mm

Front bezel

silver-coloured

Shape:

round



Focus Open
Silber 2010

