

RRJVAFTGN

05.12.2023

**Membrane pushbutton head**



**General Data**

Type reference

Description

Approvals

Degree of protection

Operation travel

Max. storage temperature

Max. operating temperature

Mechanical life

**Technical data**

Mounting aperture 22.3 mm

Tightening torque (mounting nut) 0.8 ... 1.2 Nm /optional: with S16 mounting tool

Mounting position hygienic application: observe the operating instructions  
otherwise: any

**Note**

- high UV and moisture resistance
- life time at -40°C max. 50,000 (using CT...)

Use in hygienic areas:

- permanent in the range of -25°C to +40°C, for a short time up to +70°C
- Cleaning with high-pressure cleaners is not recommended, if so the water pressure must be limited to 40 bar max. and the water temperature to 70°C max.

- stainless steel front bezel (high ring)



- front bezel black
- illumination option
- with blank nameplate
- with standard or special imprint on request

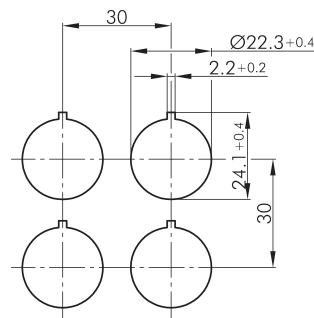
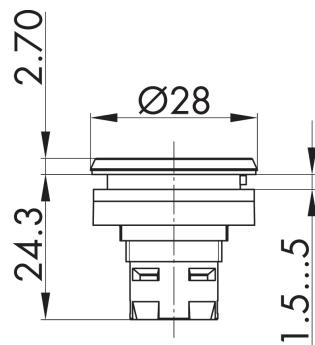
Possible coloured membranes:

- black ring RRJVAFT
- blue ring RRJVAFTBL
- yellow ring RRJVAFTGB
- red ring RRJVAFRT
- white ring RRJVAFTWS
- green ring RRJVAFTGN

**Data cc. to UL508/ CSA 22.2 No. 14-18**

Enclosure Type

Type 4x indoor



sample picture

