

Membrane pushbutton head



General Data

Type reference

Description

Approvals

Degree of protection

Operation travel

Max. storage temperature

Max. operating temperature

Mechanical life

Technical data

Mounting aperture 22.3 mm

Tightening torque (mounting nut) 0.8 ... 1.2 Nm /optional: with S16 mounting tool

Mounting position hygienic application: observe the operating instructions
otherwise: any

Note

- high UV and moisture resistance
- life time at -40°C max. 50,000 (using CT...)

Use in hygienic areas:

- permanent in the range of -25°C to +40°C, for a short time up to +70°C
- Cleaning with high-pressure cleaners is not recommended, if so the water pressure must be limited to 40 bar max. and the water temperature to 70°C max.

- stainless steel front bezel (high ring)



- front bezel black
- illumination option
- with blank nameplate
- with standard or special imprint on request

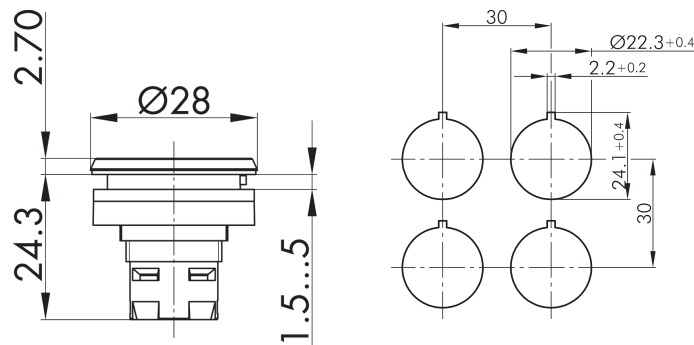
Possible coloured membranes:

- black ring RRJVAFT
- blue ring RRJVAFTBL
- yellow ring RRJVAFTGB
- red ring RRJVAFRT
- white ring RRJVAFTWS
- green ring RRJVAFTGN

Data cc. to UL508/ CSA 22.2 No. 14-18

Enclosure Type

Type 4x indoor



sample picture

