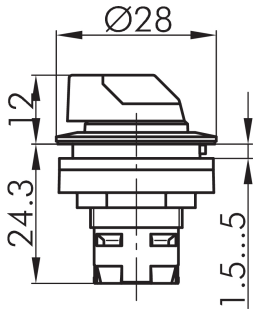
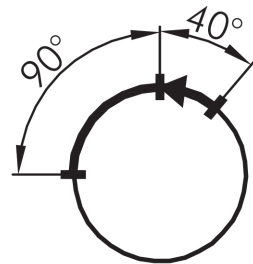
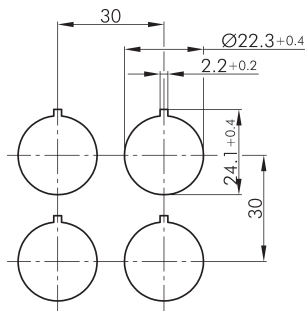




**Illuminated selector head, left maintained, right momentary RRJVAWCL\_RT**



Category:	Selector switches (momentary/maintained)
Series:	RONTRON-R-JUWEL
Panel cut-out:	Ø 22.3 mm
Protection class:	II (protective insulation)
Degree of protection:	IP65
Switching function:	momentary and maintained action
Illumination:	yes
With labelling option:	no
Front bezel	stainless steel, polished
Knob colour	red
Positive opening:	no
Shape:	round



**Optional accessory**



AS-Interface slave with T5,5K socket ASI\_BZL5



Illuminated contact block, momentary AZL4I



Illuminated contact block, momentary AZL4O



Illuminated contact block, momentary, T5,5K BZL5\_439

**Legend**

**I = Switching position >= Spring return**



Illuminated contact block, momentary, T5,5K BZL5\_439\_AU



Illuminated contact block, momentary, W2x4,6d BZLII



Illuminated contact block, momentary, T5,5K BZLII5



Illuminated contact block, momentary, T5,5K BZLII5K



Illuminated contact block, momentary, T5,5K BZLII5K\_AU



Illuminated contact block, momentary, T5,5K BZLII5\_AU



Illuminated contact block, momentary, W2x4,6d BZLIIK



Illuminated contact block, momentary, W2x4,6d BZLIIK\_AU



Illuminated contact block, momentary, W2x4,6d BZLII\_AU



Illuminated contact block, momentary, W2x4,6d BZLOI



Illuminated contact block, momentary, T5,5K BZLOI5



Illuminated contact block, momentary, T5,5K BZLOI5K



Illuminated contact block, momentary, T5,5K BZLOI5K\_AU



Illuminated contact block, momentary, T5,5K BZLOI5\_AU



Illuminated contact block, momentary, W2x4,6d BZLOIK



Illuminated contact block, momentary, W2x4,6d BZLOIK\_AU



Illuminated contact block, momentary, W2x4,6d BZLOI\_AU



Illuminated contact block, momentary, W2x4,6d BZLOO



Illuminated contact block, momentary, T5,5K BZLOO5



Illuminated contact block, momentary, T5,5K BZLOO5K



Illuminated contact block, momentary, T5,5K BZLOO5K\_AU



Illuminated contact block, momentary, T5,5K BZLOO5\_AU



Illuminated contact block, momentary, W2x4,6d BZLOOK



Illuminated contact block, momentary, W2x4,6d BZLOOK\_AU



Illuminated contact block, momentary, W2x4,6d BZLOO\_AU



Illuminated contact block, momentary, W2x4,6d BZL\_439



Illuminated contact block, momentary, W2x4,6d BZL\_439\_AU



Illuminated contact block, momentary CTL2



Illuminated contact block with separate plungers, momentary CTL2\_549



Illuminated contact block with two-piece plunger CZTLP2\_549



Insulated plastic enclosure, 1 mounting hole DIRL1V-R22



Insulated plastic enclosure, 1 mounting hole DIRL1VGB-R22



Insulated plastic enclosure, 2 mounting holes D1RL2V-R22



Insulated plastic enclosure, 3 mounting holes D1RL3V-R22



Insulated plastic enclosure, 3 resp. 4 mounting holes D1RL4V-R22



Insulated plastic enclosure, 1 mounting hole IRL1M



Insulated plastic enclosure, 1 mounting hole IRL1M\_GELB



Insulated plastic enclosure, 2 mounting holes IRL2M



Insulated plastic enclosure, 3 mounting holes IRL3M



Insulated plastic enclosure, 5 mounting holes IRL5M

LED light ring for status indication or additional illumination  
LR22K\_24B



LED light ring for status indication or additional illumination  
LR22K\_24G



LED light ring for status indication or additional illumination  
LR22K\_24R



RGB LED light ring for status indication or illumination  
LR22K\_24RGB



Two-coloured alternate LED-illuminated ring for status indication  
LR22K\_24R\_G



LED light ring for status indication or additional illumination  
LR22K\_24W



LED light ring for status indication or additional illumination  
LR22K\_24Y



External nameplate holder RRJABT



Insulated plastic enclosure with 1 mounting hole SIL22/1



High insulated plastic enclosure with 1 mounting hole SILH22/1

