

RXJWB

18.09.2023

Selector head, maintained



General Data

Type reference	RXJWB
Description	Selector switch, 3 positions, maintained
Approvals	CCC, CE, UKCA, UR
Degree of protection	IP65
Max. storage temperature	-40°C ... 80°C
Max. operating temperature	-25°C ... 70°C

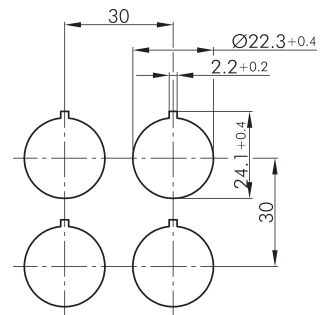
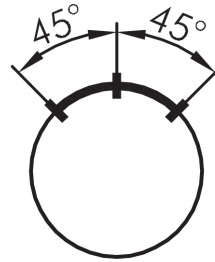
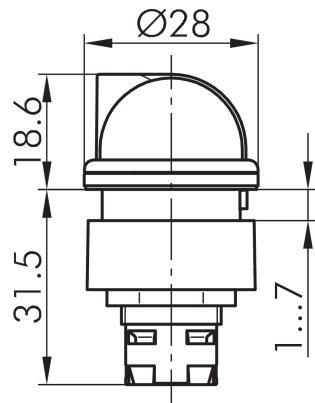
Technical data

Mounting aperture	22.3 mm
Mounting position	any
Panel thickness	1.0...7.0 mm
Tightening torque (mounting nut)	1.0...1.5 Nm
Standards	EN 60947-5-1, EN 61058-1

General data

Range	RX-JUWEL
Illumination	none
Labelling option	no
Colour	charcoal
Shape	round





Legende:
I= Schaltstellung >= Federrückzug
Legende:
I= Switching position >= Spring return
Legende:
I= Position de contact >= Rappel par ressort

