

**Pushbutton with ring illumination**



| General Data                 |   |
|------------------------------|---|
| Type reference               | S{VA}{SW}{T}{TLRx}{WA}{WB}{SSA...}{N}{STA}{STB}{L}{x}{I}{III}{O}{OO}{OI}{P}{L_AU} |
| Description                  | Pushbuttons and switches, flat/raised version, with faston/PCB connection         |
| Approvals                    | CCC, CE, cURus, DNV, ENEC10, VDE, UKCA  |
| Contact type                 | 2 NC / 1 NC + 1 NO / 2 NO / 1 NO / 1 NC   |
| Degree of protection         | IP65 / IP67 (T, TLR, N)<br>IP65 (SSA, STA, STB, WA, WB)                           |
| Operation travel             | 2.3 mm  |
| Connection type              | Faston terminals 2.8 x 0.8 mm / PCB-mount terminals                               |
| Max. storage temperature     | -40°C ... 80°C  |
| Max. operating temperature   | -25°C ... 70°C  |
| Mechanical life              | switching cycles: 1 million (T,TLR)<br>30,000 (WA,WB,STA,SSA)                     |
| Electrical life (rated load) | switching cycles: 1 million (T,TLR)<br>30,000(WA,WB,STA,SSA)                      |
| Contact resistance NO        | < 20 mOhm   |
| Contact resistance NC        | < 20 mOhm   |
| Min. current                 | 1 mA (under laboratory conditions)  |
| Min. voltage                 | 5 V   |
| Bouncing time NO             | < 10ms  |
| Bouncing time NC             | < 10ms  |
| Positive opening contact     | acc. to EN60947-5-1,appendix K  |

|                             | Electrical data acc. to IEC/EN 60947-5-1 (VDE 0660 Sect. 200) |                             |
|-----------------------------|---|-----------------------------|
|                             | alternate current   | direct current              |
| Utilisation category        | AC15 B300   | DC13 Q300                   |
| Rated insulation voltage Ui | 250 V   | 250 V                       |
| Rated operating voltage Ue  | 240 V / 120 V   | 250 V / 125 V / 60 V / 24 V |
| Rated operating current Ie  | 1.5 A / 3 A   | 0.27 A / 0.55 A / 1 A / 2 A |
| Breaking capacity           | 10Ie  | 1,1Ie                       |
| Continuous thermal current  | 5 A   | -                           |



### Electrical data acc. to IEC/EN 61058-1 (VDE 0630 Sect. 1)

|                              |        |
|------------------------------|--------|
| Rated voltage U <sub>e</sub> | 250 V~ |
| Rated current I <sub>e</sub> | 6(4) A |

### Technical Data - Lamp

|                   |                                      |
|-------------------|--------------------------------------|
| Lamp socket       | none, with integrated 3 mm LED white |
| Max. lamp voltage | 30 V AC/DC                           |
| Max. lamp output  | 14 mA (at 24 V DC)                   |
| Definition        | X1...anode, X2...cathode             |

### Additional data

|                                  |                          |
|----------------------------------|--------------------------|
| Mounting aperture                | 22.3 mm                  |
| Tightening torque (mounting nut) | 1.5 ... 1.9 Nm           |
| Mounting position                | any                      |
| Standards                        | EN 60947-5-1, EN 61058-1 |

### Electrical features - 5µm gold-plating, type addition ...AU

|                                |                 |
|--------------------------------|-----------------|
| Operational voltage            | 127 V AC/DC     |
| Switching current              | 1 mA ... 100 mA |
| Contact resistance (new state) | < 50 mOhm       |

### Note

O = NC contact; I= NO contact  
 T...pushbutton  
 TLR(x)...pushbutton with LED ring (x=colour: W,R,Y,G,B)\*2  
 N...pilot light  
 SSA...key actuator  
 STA, STB...selector switch momentary  
 WA, WB...selector switch maintained

Basic version with Faston terminals 2.8x0.8mm  
 (P) = type with PCB-mount terminals

DC13: > 100.000 switching cycles

Versions with Faston terminals: use partially or all-insulated Faston clamps

Overvoltage category II (2.5kV), pollution degree 2 for:  
 - illuminated versions (24 V LED)  
 - versions with 3rd contact  
 - versions with NO contacts (I, II, OI)

This data sheet is not applicable for the types "S..C.." (tactile versions of the Shortron range)

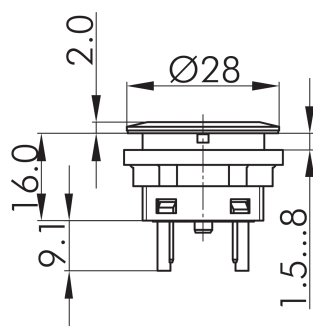


\*2 with ring illumination

**Data acc. to UL508**

Rating

Pilot duty B300; 24 V dc/3 A; Au: 42 V dc/100 mA



11/12

23/24

0 1 2

