

Pushbutton



General Data	
Type reference	S{VA}{SW}{T}{TLRx}{WA}{WB}{SSA...}{N}{STA}{STB}{L}{x}{I}{III}{O}{OO}{OI}{P}{L_AU}
Description	Pushbuttons and switches, flat/raised version, with faston/PCB connection
Approvals	CCC, CE, cURus, DNVGL, ENEC10, VDE, UKCA
Contact type	2 NC / 1 NC + 1 NO / 2 NO / 1 NO / 1 NC
Degree of protection	IP65 / IP67 (T, TLR, N) IP65 (SSA, STA, STB, WA, WB)
Operation travel	2.3 mm
Connection type	Faston terminals 2.8 x 0.8 mm / PCB-mount terminals
Max. storage temperature	-40°C ... 80°C
Max. operating temperature	-25°C ... 70°C
Mechanical life	switching cycles: 1 million (T,TLR) 30,000 (WA,WB,STA,SSA)
Electrical life (rated load)	switching cycles: 1 million (T,TLR) 30,000(WA,WB,STA,SSA)
Contact resistance NO	< 20 mOhm
Contact resistance NC	< 20 mOhm
Min. current	1 mA (under laboratory conditions)
Min. voltage	5 V
Bouncing time NO	< 10ms
Bouncing time NC	< 10ms
Positive opening contact	acc. to EN60947-5-1,appendix K

Electrical data acc. to IEC/EN 60947-5-1 (VDE 0660 Sect. 200)		
	alternate current	direct current
Utilisation category	AC15 B300	DC13 Q300
Rated insulation voltage Ui	250 V	250 V
Rated operating voltage Ue	240 V / 120 V	250 V / 125 V / 60 V / 24 V
Rated operating current Ie	1.5 A / 3 A	0.27 A / 0.55 A / 1 A / 2 A
Breaking capacity	10Ie	1,1Ie
Continuous thermal current	5 A	-



Electrical data acc. to IEC/EN 61058-1 (VDE 0630 Sect. 1)

Rated voltage U _e	250 V~
Rated current I _e	6(4) A

Technical Data - Lamp

Lamp socket	none, with integrated 3 mm LED white
Max. lamp voltage	30 V AC/DC
Max. lamp output	14 mA (at 24 V DC)
Definition	X1...anode, X2...cathode

Additional data

Mounting aperture	22.3 mm
Tightening torque (mounting nut)	1.5 ... 1.9 Nm
Mounting position	any
Standards	EN 60947-5-1, EN 61058-1

Electrical features - 5µm gold-plating, type addition ...AU

Operational voltage	127 V AC/DC
Switching current	1 mA ... 100 mA
Contact resistance (new state)	< 50 mΩ

Note

O = NC contact; I= NO contact
 T...pushbutton
 TLR(x)...pushbutton with LED ring (x=colour: W,R,Y,G,B)*2
 N...pilot light
 SSA...key actuator
 STA, STB...selector switch momentary
 WA, WB...selector switch maintained

Basic version with Faston terminals 2.8x0.8mm
 (P) = type with PCB-mount terminals

DC13: > 100.000 switching cycles

Versions with Faston terminals: use partially or all-insulated Faston clamps

Overvoltage category II (2.5kV), pollution degree 2 for:
 - illuminated versions (24 V LED)
 - versions with 3rd contact
 - versions with NO contacts (I, II, OI)

This data sheet is not applicable for the types "S..C.." (tactile versions of the Shortron range)

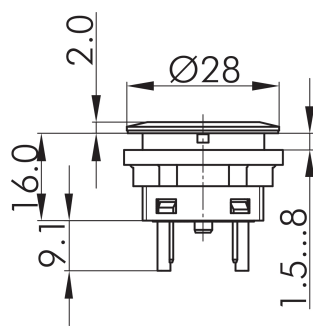


*2 with ring illumination

Data acc. to UL508

Rating

Pilot duty B300; 24Vdc/3A; Au: 42Vdc/100mA



11/12

23/24

0 1 2

